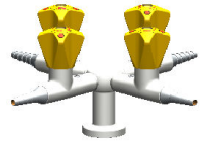


BROEN-LAB

Installation, User and Service instruction For burning gas fittings 99G0141



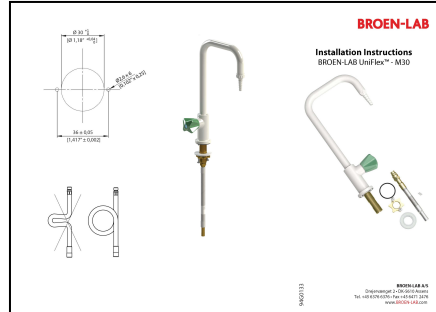
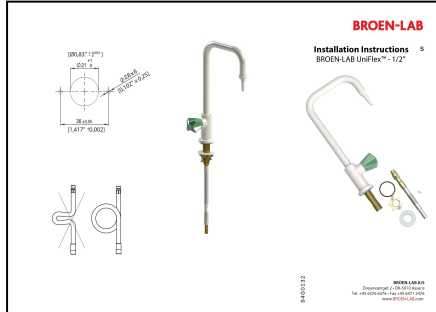
INSTALLATION

For installation and mounting instructions please refer to document no.:

94G0132 for 1/2 inch connection

and

94G0133 for M30x1,5mm connection



BROEN UniFlex compression fittings:

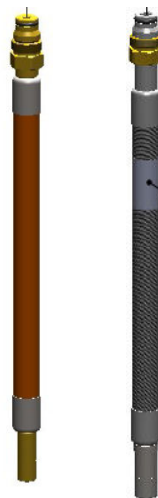
Please follow the guidelines and regulations in your country regarding the use of compression fittings. For installation of BROEN-LAB UniFlex compression fittings please read BROEN-LAB installation manual 94G0140



BROEN-LAB UniFlex hoses:

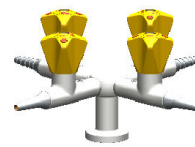
Please follow the guidelines and regulations in your country, if this do not exist BROEN-LAB recommend following guidelines for burning gas hoses.

- 1.) No joints are allowed on the hose between the supply and the fitting.
 - 2.) The hose shall be accessible for inspection in full length.
- The hose shall be installed / placed so there are no possibilities for cuts and mechanical or heat damage. BROEN-LAB Installations rules 99G0013 is also to be used.



BROEN-LAB

Installation, User and Service instruction For burning gas fittings 99G0141



USER/OPERATING INSTRUCTIONS

Press/turn headwork and handle:

To open valves with press/turn handle, press down the yellow handle and turn it counter clock wise up to 90 degrees, See fig 1.

Needle flow headwork and handle:

To open valves with needle flow headwork, turn the handle counter clock wise up to 3x360 degrees, See fig 2.

Lift/turn valve and handle:

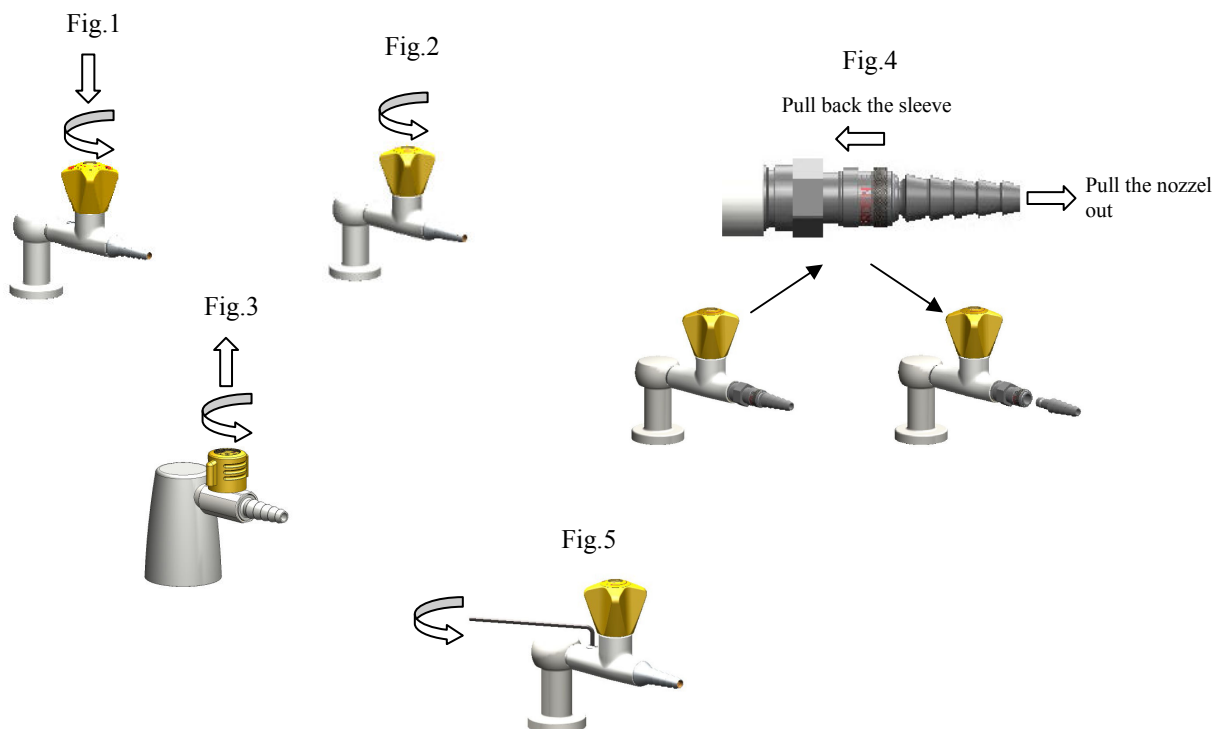
To open valves with lift/turn handle, pull up the yellow handle and turn it counter clock wise up to 90 degrees, See fig 3.

Quick coupling with detachable hose nozzle:

To detach the nozzle on valves with quick coupling first pull the sleeve on the coupling back, then pull the nozzle out, See fig 4.

Shut off Ballofix ball valve on BROEN-LAB Premium fittings:

To close the build in ball valve on premium fittings, use hex 3mm Allen key and turn it 90 degrees, See fig. 5.



SERVICE AND MAINTENANCE

Fittings:

All parts in BROEN-LAB UniFlex burning gas fittings are fixed for security reasons and can therefore not be serviced. By failure on the fitting is replacement the only option.